

GENERAL NOTES:

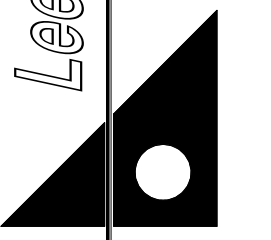
DEBURR ALL SHARP EDGES.

SHOP PRIME AND PAINT  
TO SUITE.

PROJECT:

TRUCK CAB GUARD  
WITH EXPANDED METAL

Lee Design Works



DATE: 12-15-2011

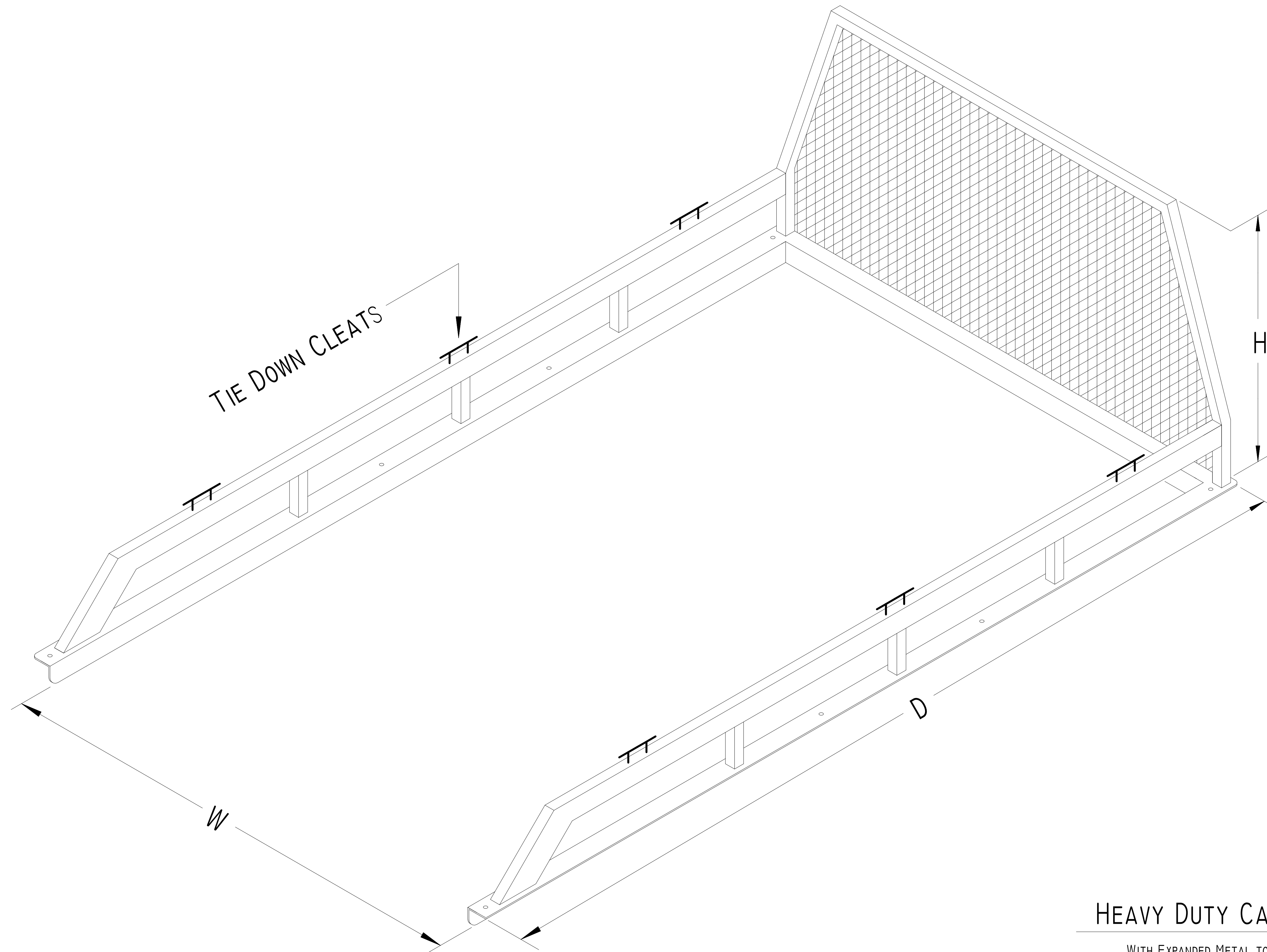
DRAWN BY: W.LEE

DRAWING No.:

SCALE UNLESS NOTED: N/A

SHEET

| OF |



### HEAVY DUTY CAB GUARD LONG

WITH EXPANDED METAL TO PROTECT BACK GLASS